



*For Window Manufacturers*



## ODX – The brand of cutting tools for window fabricators.

Supplied by Omega Products, a trading name of Trucut Tools, ODX Tools is part of a next-generation, family-owned precision engineering supply company established since 1988.

With a strong focus on enhancing manufacturing efficiency and reducing costs for customers, the ODX brand of cutting tools has been developed specifically for the window industry.

ODX offers solutions for aluminium and uPVC profile fabrication, capable of supporting operations of all scales.

The team is dedicated to optimising processes and is available to assist with selecting the appropriate cutters for specific materials and applications.

Products are available for purchase through the online store or by contacting the team directly to discuss individual requirements.



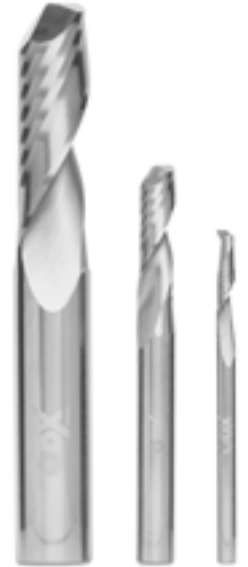
| Page  | Product                        |
|-------|--------------------------------|
| 4-5   | Single Flute Carbide Routers   |
| 5     | Twin Flute Carbide Routers     |
| 6-7   | Single Flute HSS Routers       |
| 8-9   | Twin Flute HSS Routers         |
| 10    | Drills                         |
| 11    | Spot Face & Countersink Drills |
| 12-13 | Triple Drills                  |
| 14    | Burrs and Countersinks         |
| 15    | Machine Taps for Aluminium     |
| 16    | ER Collets                     |
| 17    | Collets                        |
| 18    | Collet Nuts & Spanners         |
| 19    | Collet Chucks                  |



## Single Flute Carbide Router Cutters



| Part Number | Dimensions (mm) |                   |             |                    |               | Style                 | Alternative Part Numbers                 |
|-------------|-----------------|-------------------|-------------|--------------------|---------------|-----------------------|--|
|             | Diameter (D)    | Flute Length (L1) | Relief (L2) | Overall Length (L) | Shank Dia (D) |                       |  |
| OM35101     | 2               | 8                 | -           | 40                 | 2             |                       |  |
| OM35102     | 3               | 12                | -           | 50                 | 3             | -                     | 76-0304, 256788, CAR415830009            |
| OM35300     | 3               | 12                | -           | 50                 | 6             | -                     |  |
| OM35113     | 3               | 15                | -           | 55                 | 3             | -                     |  |
| OM35307     | 3               | 20                | -           | 60                 | 6             | -                     |  |
| OM35103     | 4               | 15                | -           | 50                 | 4             | -                     | 76-0408, CAR415840009, 276823            |
| OM35114     | 4               | 20                | -           | 58                 | 4             | Mirror Polish         | 76-0410                                  |
| OM35303     | 4               | 12                | -           | 60                 | 4             | -                     |  |
| OM35129     | 4               | 12                | -           | 70                 | 4             | Mirror Polish         |  |
| OM35144     | 4               | 25                | -           | 70                 | 6             | Weldon                | Schuco 296589                            |
| OM35498     | 4               | 20                | -           | 58                 | 8             | 90° Drill Tip         |  |
| OM35308     | 4               | 20                | -           | 60                 | 8             | -                     | X00075                                   |
| OM35373     | 4               | 10                | 30          | 70                 | 8             | Mirror Polish         | 140392104, 140390104                     |
| OM35490     | 5               | 20                | -           | 58                 | 5             | Mirror Polish         | 76-0531,76-0526, 276822, HZ43794         |
| OM35120     | 5               | 20                | -           | 80                 | 5             | -                     |  |
| OM35145     | 5               | 40                | -           | 80                 | 5             | 90° Drill Tip         | 610370311                                |
| OM35130     | 5               | 10                | -           | 100                | 5             | -                     |  |
| OM35399     | 5               | 8                 | 40          | 77                 | 6             | Weldon                | 296 590                                  |
| OM35062     | 5               | 20                | -           | 58                 | 8             | Mirror Polish         | 276824, CAR415850089                     |
| OM35309     | 5               | 20                | -           | 60                 | 8             | 90° Drill Tip, Mirror |  |
| OM35323     | 5               | 30                | -           | 70                 | 8             | Mirror Polish         | X00065                                   |
| OM35402     | 5               | 20                | 35          | 80                 | 8             | Mirror Polish         | 130365019                                |
| OM35134     | 5               | 40                | 48          | 80                 | 8             | Mirror Polish         | 76-0527,140392105                        |
| OM35057     | 5               | 20                | 30          | 90                 | 8             | Mirror Polish         | 29-0103, HZ-309097                       |
| OM35169     | 5               | 25                | 45          | 90                 | 8             | Mirror Polish         | 54500378-C                               |
| OM35346     | 5               | 30                | -           | 90                 | 8             | Mirror Polish         | 11-06-0007-021,HZ-309097, 29-0103        |
| OM35407     | 5               | 35                | 55          | 90                 | 8             | 90° Drill Tip, Mirror | 58-54500386-C                            |
| OM35289     | 5               | 20                | -           | 100                | 8             | Mirror Polish         | 54-8B7105789, X20004                     |
| OM35147     | 5               | 35                | 55          | 100                | 8             | 90° Drill Tip, Mirror |  |
| OM35491     | 6               | 20                | -           | 57                 | 6             | Mirror Polish         | 76-0610, 130365106, 265530, 255824       |
| OM35148     | 6               | 40                | -           | 80                 | 6             | 90° Drill Tip, Mirror | 610370314                                |
| OM35116     | 6               | 25                | -           | 85                 | 6             | -                     |  |
| OM35288     | 6               | 30                | -           | 110                | 6             | Mirror Polish         |  |
| OM35173     | 6               | 20                | -           | 60                 | 8             | -                     | 276825                                   |
| OM35106     | 8               | 22                | -           | 65                 | 8             | Mirror Polish         | 76-0819, 256631, 276826, CAR415880009    |
| OM35191     | 8               | 15                | 55          | 80                 | 8             | Mirror Polish         | 296592, 130365022, OM35404               |
| OM35321     | 8               | 25                | -           | 75                 | 8             | Mirror Polish         | CAR415880089, 130365208                  |
| OM35098     | 8               | 35                | -           | 90                 | 8             | Mirror Polish         | 76-0822, OM35117, (76-0823), (140391108) |
| OM35408     | 8               | 35                | 50          | 90                 | 8             | Mirror Polish         |  |



The most popular range of carbide router cutters

For CNC machining of Aluminium & UPVC

## Cutting Data

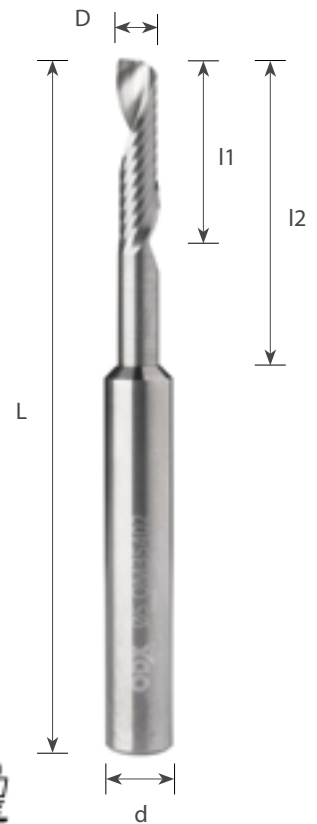
| Milling: Cutting Data for Aluminium |                         |             |
|-------------------------------------|-------------------------|-------------|
| Cutter Dia (mm)                     | Cutting Speed 350 M/min |             |
|                                     | RPM                     | Feed mm/Min |
| 3                                   | 25,000                  | 2,000       |
| 4                                   | 22,000                  | 1,800       |
| 5                                   | 20,000                  | 1,600       |
| 6                                   | 18,000                  | 1,300       |
| 8                                   | 16,000                  | 1,200       |
| 10                                  | 12,800                  | 900         |
| 12                                  | 10,600                  | 750         |
| 14                                  | 9,100                   | 640         |
| 16                                  | 8,000                   | 560         |

When selecting cutting data, consideration must be made to the machine, the component and the stability of setup.

# Single & Twin Flute Carbide Routers



| Part Number | Dimensions (mm) |                   |             |                    |                    | Style         | Alternative Part Numbers            |
|-------------|-----------------|-------------------|-------------|--------------------|--------------------|---------------|-------------------------------------|
|             | Diameter (D)    | Flute Length (L1) | Relief (L2) | Overall Length (L) | Shank Diameter (d) |               |                                     |
| OM35132     | 8               | 16                | -           | 100                | 8                  | Mirror Polish | (29-0114), (HZ304980)               |
| OM35387     | 8               | 25                | 70          | 100                | 8                  | Mirror Polish | CAR415881009                        |
| OM35122     | 8               | 25                | -           | 100                | 8                  | Mirror Polish | 276827                              |
| OM35051     | 8               | 40                | -           | 100                | 8                  | Mirror Polish | 76-0814                             |
| OM35297     | 8               | 35                | -           | 120                | 8                  | Mirror Polish | 76-0816 Faceted, 76-0816A           |
| OM35107     | 10              | 28                | -           | 75                 | 10                 | Mirror Polish | 76-1009, 26553, (130365110), 287828 |
| OM35324     | 10              | 30                | -           | 80                 | 10                 | -             | 276828, (130365110), CAR415810009   |
| OM35035     | 10              | 40                | -           | 97                 | 10                 | Mirror Polish | 76-1011, 130365310, 58-8062         |
| OM35172     | 10              | 25                | 50          | 100                | 10                 | Mirror Polish | CAR415810109, 276829, (130365310)   |
| OM35133     | 10              | 15                | -           | 110                | 10                 | -             |                                     |
| OM35335     | 10              | 25                | 80          | 110                | 10                 | -             | 296593                              |
| OM35489     | 12              | 35                | -           | 83                 | 10                 | Mirror Polish |                                     |
| OM35108     | 12              | 35                | -           | 83                 | 12                 | Mirror Polish | 76-12120, 76-12120, 130365112       |
| OM35119     | 12              | 40                | -           | 100                | 12                 | Mirror Polish | CAR415812009, 276830, 130365212     |
| OM35050     | 12              | 51                | -           | 110                | 12                 | -             |                                     |
| OM35099     | 13              | 15                | 80          | 120                | 8                  | -             |                                     |
| OM35189     | 13              | 15                | 45          | 85                 | 13                 | -             |                                     |
| OM35492     | 16              | 25                | -           | 92                 | 16                 | Mirror Polish | 76-1600                             |



## Single Flute Carbide Piloted Router Cutters



| Part Number | Dimensions (mm)     |                   |              |             |             |         |           | Style               | Alternative Part Numbers |
|-------------|---------------------|-------------------|--------------|-------------|-------------|---------|-----------|---------------------|--------------------------|
|             | Pilot Diameter (D1) | Pilot Length (L1) | Diameter (D) | Length (L1) | Relief (L2) | OAL (L) | Shank (d) |                     |                          |
| OM35168     | 3                   | 5                 | 5            | 40          | 55          | 100     | 8         | Piloted, Plunge Tip | 11-06-0007-023C          |

## Twin Flute Carbide Router Cutters



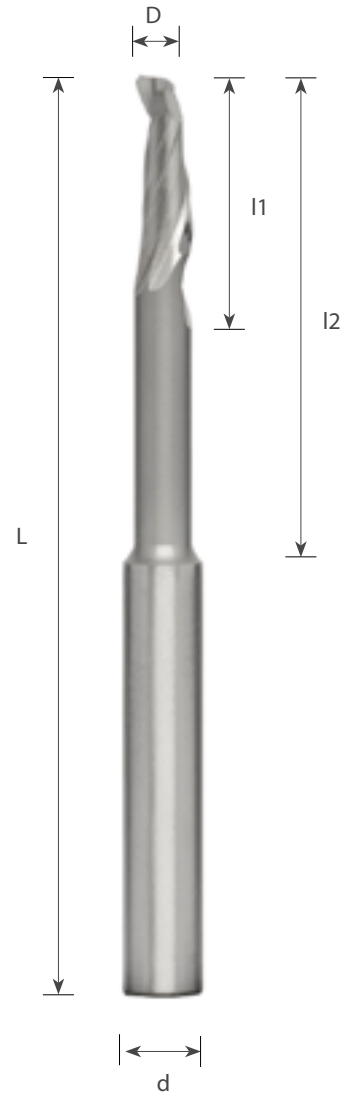
| Part Number | Dimensions (mm) |                   |                    |                    |               | Style              | Alternative Part Numbers |
|-------------|-----------------|-------------------|--------------------|--------------------|---------------|--------------------|--------------------------|
|             | Dia (D)         | Flute Length (L1) | Relief Length (L2) | Overall Length (L) | Shank Dia (d) |                    |                          |
| OM35193     | 5               | 40                | -                  | 80                 | 8             |                    | 58-54500366-C            |
| OM36616     | 5               | 40                | 50                 | 80                 | 8             | Drill Tip          |                          |
| OM35194     | 5               | 25                | 35                 | 100                | 8             |                    |                          |
| OM35454     | 8               | 30                | -                  | 100                | 8             |                    |                          |
| OM35195     | 8               | 50                | -                  | 100                | 8             |                    | 58-54500081-C Rapid      |
| OM35197     | 10              | 50                | -                  | 100                | 10            |                    | 58-54500102-C            |
| OM35298     | 12              | 60                | -                  | 110                | 12            |                    |                          |
| OM35486     | 8               | 35                | 60                 | 100                | 10            | LH rotation LH cut |                          |
| OM35487     | 8               | 50                | -                  | 100                | 8             | LH rotation LH cut |                          |
| OM35199     | 8               | 35                | 60                 | 100                | 10            | LH rotation RH cut | 11-06-0007-038           |



## Single Flute HSS Router Cutters



| Part Number | Dimensions (mm) |                   |                    |                    |               | Style  | Alternative Part Numbers                  |
|-------------|-----------------|-------------------|--------------------|--------------------|---------------|--------|---|
|             | Dia (D)         | Flute Length (L1) | Relief Length (L2) | Overall Length (L) | Shank Dia (d) |        |   |
| OM35230     | 3               | 12                | -                  | 60                 | 8             | -      | 50/03, 76-0300, 068365003                 |
| OM35046     | 3               | 12                | -                  | 68                 | 8             | -      | CAR415830000                              |
| OM35231     | 4               | 12                | -                  | 60                 | 8             | -      | 76-0400, 068365004, 50/04                 |
| OM35171     | 4               | 12                | -                  | 68                 | 8             | -      | CAR415840000                              |
| OM35239     | 4               | 12                | -                  | 80                 | 8             | -      |   |
| OM35282     | 4               | 16                | 45                 | 90                 | 8             | -      | 76-0401, 36-0401, 50/15                   |
| OM35204     | 4               | 12                | -                  | 100                | 8             | -      |   |
| OM35161     | 4               | 16                | 45                 | 120                | 8             | -      | 76-0411                                   |
| OM35045     | 5               | 40                | -                  | 80                 | 5             | -      | Avantek                                   |
| OM35155     | 5               | 16                | -                  | 60                 | 6             | -      | 415856015, CAR415856015                   |
| OM36610     | 5               | 25                | 35                 | 60                 | 6             | -      | 415846000 CAR415846000                    |
| OM35235     | 5               | 18                | -                  | 60                 | 8             | -      | 76-0500, 76-0498, 50/25, 068365005        |
| OM35478     | 5               | 15                | -                  | 68                 | 8             | -      | 29-0119, 253953, CAR 415840000, 140390105 |
| OM35237     | 5               | 25                | -                  | 70                 | 8             | -      |   |
| OM35276     | 5               | 18                | 35                 | 80                 | 8             | -      | 50/19, 76-0501, 36-0502, 76-0550          |
| OM35443     | 5               | 18                | 35                 | 80                 | 8             | Coated | CAR215850802, 068365219, 76-0513          |
| OM35252     | 5               | 35                | -                  | 80                 | 8             | -      | 76-0509, 50/26                            |
| OM35283     | 5               | 16                | 45                 | 90                 | 8             | -      | 50/17, 76-0503, 36-0503                   |
| OM35256     | 5               | 25                | -                  | 90                 | 8             | -      | Stuga                                     |
| OM35206     | 5               | 14                | -                  | 100                | 8             | -      | 068365027, 76-0504                        |
| OM35164     | 5               | 16                | 45                 | 100                | 8             | -      | 76-0503A                                  |
| OM35259     | 5               | 18                | 45                 | 100                | 8             | -      | 76-0503A                                  |
| OM35263     | 5               | 18                | 55                 | 100                | 8             | -      |   |
| OM35219     | 5               | 25                | -                  | 100                | 8             | -      | 76-0523, 280371                           |
| OM35220     | 5               | 35                | -                  | 100                | 8             | -      |   |
| OM35212     | 5               | 40                | -                  | 100                | 8             | -      | 06836502, 76-0505, 36-0505                |
| OM35221     | 5               | 45                | -                  | 100                | 8             | -      | 76-0507                                   |
| OM35222     | 5               | 14                | -                  | 120                | 8             | -      |   |
| OM35266     | 5               | 14                | 35                 | 120                | 8             | -      | 50/50, 068365050, 36-0509, 76-0502        |
| OM35273     | 5               | 14                | 65                 | 125                | 8             | -      |   |
| OM35233     | 6               | 14                | -                  | 60                 | 8             | -      | 50/06, Elumatec 068365006, 76-0600        |
| OM35238     | 6               | 25                | -                  | 70                 | 8             | -      | 415860000                                 |
| OM35277     | 6               | 14                | 35                 | 80                 | 8             | -      | 50/52, 068365023, (276810)                |
| OM35250     | 6               | 30                | -                  | 80                 | 8             | -      | 76-0607, 150365006                        |
| OM35284     | 6               | 16                | 45                 | 90                 | 8             | -      | 76-0602, 76-0602                          |
| OM35213     | 6               | 40                | -                  | 100                | 8             | -      | 50/31, 76-0604, ALC31-SF-8                |
| OM35234     | 7               | 14                | -                  | 60                 | 8             | -      | 50/07, 068365007                          |
| OM35278     | 7               | 14                | 45                 | 80                 | 8             | -      |   |
| OM35442     | 8               | 14                | -                  | 80                 | 8             | Coated | 068365208                                 |
| OM35444     | 8               | 15                | 54                 | 80                 | 8             | Coated | 068365222                                 |
| OM35279     | 8               | 15                | 55                 | 80                 | 8             | -      | 50/18, 76-0801, 068365022                 |



# Single Flute HSS Router Cutters



| Part Number | Dimensions (mm) |                   |                    |                    |               | Style  | Alternative Part Numbers                   |
|-------------|-----------------|-------------------|--------------------|--------------------|---------------|--------|--|
|             | Dia (D)         | Flute Length (L1) | Relief Length (L2) | Overall Length (L) | Shank Dia (d) |        |  |
| OM35251     | 8               | 25                | -                  | 80                 | 8             | -      | 76-0800, 68365008, 253957, 50/08           |
| OM35253     | 8               | 40                | -                  | 80                 | 8             | -      |  |
| OM35026     | 8               | 40                | -                  | 90                 | 8             | -      | 150365109                                  |
| OM35058     | 8               | 18                | 50                 | 95                 | 8             | -      | 276812                                     |
| OM35174     | 8               | 18                | 50                 | 95                 | 10            | -      | CAR415880010, 276815                       |
| OM35201     | 8               | 14                | -                  | 100                | 8             | -      | 76-0804                                    |
| OM35264     | 8               | 30                | 70                 | 100                | 8             | -      | 68365024                                   |
| OM35214     | 8               | 40                | -                  | 100                | 8             | -      | 150365110, 76-0810                         |
| OM35156     | 8               | 40                | -                  | 100                | 8             | Coated | 76-0809                                    |
| OM35223     | 8               | 14                | -                  | 120                | 8             | -      | 50/51, 76-0803, 68365051, 1363160800       |
| OM35140     | 8               | 20                | 70                 | 120                | 8             | -      | 276813, (29-0119), (06836502929), (253953) |
| OM35159     | 8               | 30                | -                  | 120                | 8             | Coated | 76-0807                                    |
| OM35225     | 8               | 40                | -                  | 120                | 8             | -      | 068365030                                  |
| OM35244     | 9               | 14                | -                  | 80                 | 8             | -      | 50/09, 68365009                            |
| OM36601     | 9               | 25                | -                  | 85                 | 8             | -      |  |
| OM35215     | 9               | 40                | -                  | 100                | 8             | -      |  |
| OM35009     | 10              | 14                | -                  | 80                 | 8             | -      | 50/10, 76-1000, 068365010, 415810008       |
| OM35027     | 10              | 20                | 50                 | 95                 | 8             | -      | 276814                                     |
| OM35452     | 10              | 40                | -                  | 100                | 8             | -      | 76-1005 & 76-1006, 068365031               |
| OM35254     | 10              | 15                | -                  | 80                 | 10            | -      | CAR415810080                               |
| OM35028     | 10              | 20                | 50                 | 95                 | 10            | -      | 276816, (078365010), (50/21), (79250)      |
| OM35210     | 10              | 14                | -                  | 100                | 10            | -      |  |
| OM35265     | 10              | 30                | 70                 | 100                | 10            | -      | 76-1008, 50/22, 078365026                  |
| OM35029     | 10              | 20                | 70                 | 120                | 10            | -      | 276817, CAR415810120                       |
| OM35271     | 10              | 20                | 95                 | 120                | 10            | -      | 50/23, 50/14, 078365025, 276817, 299237    |
| OM35246     | 11              | 14                | -                  | 80                 | 8             | -      |  |
| OM35247     | 12              | 14                | -                  | 80                 | 8             | -      | 50/12, 068365012                           |
| OM35165     | 12              | 40                | -                  | 100                | 8             | -      |  |
| OM35047     | 13              | 15                | 70                 | 100                | 10            | -      |  |

## Cutting Data

| Milling: Cutting Data for Aluminium |                         |             |
|-------------------------------------|-------------------------|-------------|
| Cutter Dia (mm)                     | Cutting Speed 200 M/min |             |
|                                     | RPM                     | Feed mm/Min |
| 3                                   | 21,000                  | 640         |
| 4                                   | 16,000                  | 640         |
| 5                                   | 12,750                  | 640         |
| 6                                   | 10,600                  | 640         |
| 8                                   | 8,000                   | 640         |
| 10                                  | 6,400                   | 640         |

When selecting cutting data, consideration must be made to the machine, the component and the stability of setup.

## Straight Flute HSS Router Cutters



| Part Number | Dimensions (mm) |           |           |       |         | Style     | Alternative Part Numbers |
|-------------|-----------------|-----------|-----------|-------|---------|-----------|--------------------------|
|             | Diameter D      | Length L1 | Relief L2 | OAL L | Shank D |           |                          |
| OM35447     | 5               | 35        | -         | 100   | 8       | Drill tip | 7992, ALC36              |
| OM36604     | 8               | 30        | -         | 80    | 8       | Drill Tip |                          |

## Twin Flute HSS Router Cutters



| Part Number    | Dimensions (mm) |                   |                    |                    |               | Style       | Alternative Part Numbers  |
|----------------|-----------------|-------------------|--------------------|--------------------|---------------|-------------|---------------------------|
|                | Dia (D)         | Flute Length (l1) | Relief Length (l2) | Overall Length (L) | Shank Dia (d) |             |                           |
| <b>OM35166</b> | 5               | 25                | -                  | 100                | 8             | -           | 76-0523A                  |
| <b>OM35154</b> | 5               | 35                | -                  | 100                | 8             | -           | 76-0404A                  |
| <b>OM35141</b> | 5               | 40                | -                  | 100                | 8             | -           | 76-0506, 50/33, (76-0515) |
| <b>OM35453</b> | 7               | 35                | -                  | 80                 | 7             | Slow Spiral |                           |
| <b>OM35059</b> | 8               | 50                | -                  | 80                 | 8             | Coated      | 76-0815                   |
| <b>OM35455</b> | 8               | 40                | -                  | 100                | 8             | -           | 76-0806                   |
| <b>OM36602</b> | 8               | 20                | -                  | 120                | 8             | -           |                           |
| <b>OM35011</b> | 8               | 30                | -                  | 120                | 8             | -           |                           |
| <b>OM35052</b> | 8               | 30                | -                  | 120                | 8             | Coated      | 76-0809A                  |
| <b>OM35012</b> | 10              | 40                | -                  | 100                | 8             | -           | 76-1005A                  |
| <b>OM35013</b> | 10              | 25                | -                  | 72                 | 10            | -           | 150366010                 |
| <b>OM35014</b> | 10              | 30                | 60                 | 100                | 10            | -           | 178366010                 |
| <b>OM35460</b> | 12              | 40                | -                  | 100                | 8             | -           | 76-1202, 36-1200          |
| <b>OM35167</b> | 12              | 40                | -                  | 70                 | 10            | -           | 76-1203                   |
| <b>OM35017</b> | 12              | 55                | -                  | 110                | 12            | -           |                           |
| <b>OM35451</b> | 13              | 40                | -                  | 100                | 8             | -           | 76-1300                   |





## Twin Flute Straight HSS Router Cutters



| Part Number | Dimensions (mm) |                   |                    |                    |               | Style  | Alternative Part Numbers  |
|-------------|-----------------|-------------------|--------------------|--------------------|---------------|--------|---------------------------|
|             | Dia (D)         | Flute Length (l1) | Relief Length (l2) | Overall Length (L) | Shank Dia (d) |        |                           |
| OM36617     | 4               | 40                |                    | 80                 | 8             | -      | 76-0409                   |
| OM36618     | 4               | 40                |                    | 100                | 8             | -      | 76-407                    |
| OM36619     | 5               | 20                |                    | 75                 | 5             | -      | 76-0525                   |
| OM36605     | 5               | 40                |                    | 75                 | 8             | -      | 76-0519, 76-0517          |
| OM35449     | 5               | 40                |                    | 80                 | 8             | -      |                           |
| OM35448     | 5               | 35                |                    | 100                | 8             | -      | 76-0404, 36-0506, 50/36   |
| OM35446     | 6               | 20                |                    | 100                | 6             | -      |                           |
| OM35018     | 6               | 35                |                    | 120                | 8             | -      |                           |
| OM35019     | 8               | 50                |                    | 80                 | 8             | Coated |                           |
| OM35456     | 8               | 40                |                    | 100                | 8             | -      | 76-0808, 36-0808, 76-0817 |
| OM35458     | 8               | 40                |                    | 120                | 8             | -      | 76-0806A 36-0806          |
| OM35023     | 8               | 40                |                    | 120                | 8             | Coated | 76-0813                   |
| OM35022     | 10              | 45                |                    | 100                | 10            | -      |                           |
| OM36606     | 12              | 30                |                    | 100                | 8             | -      | 76-1216                   |
| OM35457     | 12              | 30                |                    | 80                 | 10            | -      | 76-1209                   |



## Cutting Data

When selecting cutting data, consideration must be made to the machine, the component and the stability of setup.

| Drilling: Cutting Data for Aluminium or Plastic |                         |             |
|---|-------------------------|-------------|
| Cutter Dia (mm)                                 | Cutting Speed 150 M/min |             |
|   | RPM                     | Feed mm/Min |
| 5   | 20,000                  | 1000        |
| 6   | 18,000                  | 900         |
| 7   | 16,000                  | 800         |
| 8   | 16,000                  | 800         |
| 10  | 12,800                  | 640         |
| 12  | 10,600                  | 530         |
| 13  | 9,000                   | 450         |

| Milling: Cutting Data for Aluminium or Plastic |                         |             |
|--|-------------------------|-------------|
| Cutter Dia (mm)                                | Cutting Speed 150 M/min |             |
|  | RPM                     | Feed mm/Min |
| 5  | 20,000                  | 1500        |
| 6  | 18,000                  | 1350        |
| 7  | 16,000                  | 1200        |
| 8  | 16,000                  | 1200        |
| 10   | 12,800                  | 960         |
| 12   | 10,600                  | 795         |
| 13   | 9,000                   | 675         |

## Self Centring TiN Coated Drills



| Part Number  | Dimensions (mm) |                |              | Pack Qty |
|--------------|-----------------|----------------|--------------|----------|
|              | Diameter        | Overall Length | Flute Length |          |
| CAR610400300 | 3               | 61             | 33           | 10       |
| CAR610400320 | 3.2             | 65             | 36           | 10       |
| CAR610400330 | 3.3             | 65             | 36           | 10       |
| CAR610400340 | 3.4             | 70             | 39           | 10       |
| CAR610400350 | 3.5             | 70             | 39           | 10       |
| CAR610400370 | 3.7             | 70             | 39           | 10       |
| CAR610400380 | 3.8             | 75             | 43           | 10       |
| CAR610400400 | 4               | 75             | 43           | 10       |
| CAR610400420 | 4.2             | 75             | 43           | 10       |
| CAR610400450 | 4.5             | 80             | 47           | 10       |
| CAR610400460 | 4.6             | 80             | 47           | 10       |
| CAR610400500 | 5               | 86             | 52           | 10       |
| CAR610400550 | 5.5             | 93             | 57           | 10       |
| CAR610400600 | 6               | 93             | 57           | 10       |
| CAR610400680 | 6.8             | 109            | 69           | 5        |
| CAR610400700 | 7               | 109            | 69           | 5        |
| CAR610400800 | 8               | 117            | 75           | 5        |
| CAR610400850 | 8.5             | 117            | 75           | 5        |
| CAR610400900 | 9               | 125            | 81           | 5        |
| CAR610401000 | 10              | 133            | 87           | 5        |
| CAR610401050 | 10.5            | 133            | 87           | 5        |
| CAR610401200 | 12              | 151            | 101          | 4        |
| CAR610401300 | 13              | 151            | 101          | 4        |



More sizes available on request

## Standard Drills for Aluminium



| Part Number  | Dimensions (mm) |                |              | Pack Qty |
|--------------|-----------------|----------------|--------------|----------|
|              | Diameter        | Overall Length | Flute Length |          |
| CAR510800680 | 6.8             | 109            | 69           | 5        |
| CAR510800700 | 7               | 109            | 69           | 5        |
| CAR510800800 | 8               | 117            | 75           | 5        |
| CAR510800850 | 8.5             | 117            | 75           | 5        |
| CAR510800900 | 9               | 125            | 81           | 5        |
| CAR510801000 | 10              | 133            | 87           | 5        |
| CAR510801050 | 10.5            | 133            | 87           | 5        |
| CAR510801200 | 12              | 151            | 101          | 4        |
| CAR510801300 | 13              | 151            | 101          | 4        |

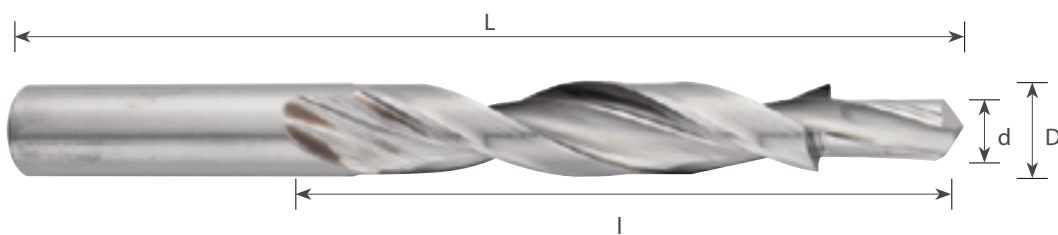


More sizes available on request

## Step Drills 180° Spot Face



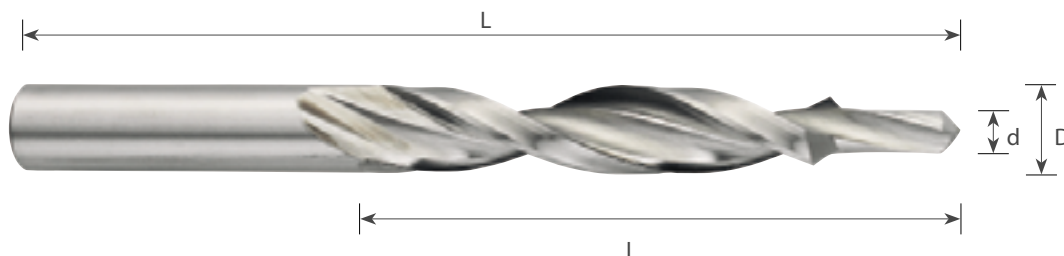
| Part Number         | Dimensions (mm) |    |     |     |    |    |
|---------------------|-----------------|----|-----|-----|----|----|
|                     | Screw Size      | D  | d   | L   | l  | h  |
| <b>CAR527000005</b> | M5              | 10 | 5.5 | 133 | 87 | 13 |
| <b>CAR527000006</b> | M6              | 11 | 6.6 | 142 | 94 | 15 |



## Step Drills 90° Countersink



| Part Number    | Dimensions (mm) |      |     |     |    |    |
|----------------|-----------------|------|-----|-----|----|----|
|                | Screw Size      | D    | d   | L   | l  | h  |
| <b>OM35040</b> | M4              | 8    | 4.3 | 117 | 75 | 11 |
| <b>OM35041</b> | M5              | 10   | 5.3 | 133 | 87 | 13 |
| <b>OM36607</b> | M6              | 11.5 | 6.4 | 142 | 94 | 15 |



## TRIPLE DRILLS

### Threaded Shank, Right Rotation, Piloted Drills



| Part Number    | Dimensions (mm) |                                |                    |               | Style   | Alternative Part Numbers |
|----------------|-----------------|--------------------------------|--------------------|---------------|---------|--------------------------|
|                | Dia (D)         | Flute Length (l <sub>f</sub> ) | Overall Length (L) | Shank Dia (d) |         |                          |
| <b>OM35469</b> | 10              | 50                             | 87                 | M10           | Piloted | 80-0201P, 113335105      |
| <b>OM35481</b> | 10              | 60                             | 96                 | M10           | Piloted |                          |
| <b>OM35472</b> | 12              | 50                             | 87                 | M10           | Piloted | 80-0203P, 113335125      |
| <b>OM35479</b> | 12              | 60                             | 100                | M10           | Piloted |                          |

### Threaded Shank, Left Rotation, Piloted Drills



| Part Number    | Dimensions (mm) |                                |                    |               | Style   | Alternative Part Numbers |
|----------------|-----------------|--------------------------------|--------------------|---------------|---------|--------------------------|
|                | Dia (D)         | Flute Length (l <sub>f</sub> ) | Overall Length (L) | Shank Dia (d) |         |                          |
| <b>OM35473</b> | 10              | 50                             | 87                 | M10           | Piloted | 80-0202P, 113336105      |
| <b>OM35092</b> | 10              | 60                             | 94                 | M10           | Piloted |                          |
| <b>OM35474</b> | 12              | 50                             | 87                 | M10           | Piloted | 80-0204P, 113336125      |
| <b>OM35480</b> | 12              | 60                             | 100                | M10           | Piloted |                          |



### Threaded Shank, Right Rotation, Threaded Shank Drills



| Part Number    | Dimensions (mm) |                                |                    |               | Style | Alternative Part Numbers |
|----------------|-----------------|--------------------------------|--------------------|---------------|-------|--------------------------|
|                | Dia (D)         | Flute Length (l <sub>f</sub> ) | Overall Length (L) | Shank Dia (d) |       |                          |
| <b>OM35470</b> | 10              | 50                             | 87                 | M10           | Drill | 80-0201,                 |
| <b>OM35476</b> | 12              | 50                             | 87                 | M10           | Drill | 80-0203,                 |

### Threaded Shank, Left Rotation, Threaded Shank Drills



| Part Number    | Dimensions (mm) |                                |                    |               | Style | Alternative Part Numbers |
|----------------|-----------------|--------------------------------|--------------------|---------------|-------|--------------------------|
|                | Dia (D)         | Flute Length (l <sub>f</sub> ) | Overall Length (L) | Shank Dia (d) |       |                          |
| <b>OM35475</b> | 10              | 50                             | 87                 | M10           | Drill | 80-0202, 113336100       |
| <b>OM35471</b> | 12              | 50                             | 87                 | M10           | Drill | 80-0204, 113335120       |



## Flatted Shank, Right Rotation Drills



| Part Number    | Dimensions (mm) |                                |                    |               | Style   |
|----------------|-----------------|--------------------------------|--------------------|---------------|---------|
|                | Dia (D)         | Flute Length (l <sub>f</sub> ) | Overall Length (L) | Shank Dia (d) |         |
| <b>OM35053</b> | 12              | 30                             | 100                | 12mm          | Piloted |
| <b>OM35482</b> | 12              | 30                             | 100                | 10mm Weldon   | Piloted |

## Flatted Shank, Left Rotation Drills



| Part Number    | Dimensions (mm) |                                |                    |               | Style   |
|----------------|-----------------|--------------------------------|--------------------|---------------|---------|
|                | Dia (D)         | Flute Length (l <sub>f</sub> ) | Overall Length (L) | Shank Dia (d) |         |
| <b>OM35054</b> | 10              | 30                             | 80                 | 10mm          | Piloted |

## Flatted Shank, Triple Drill Set - Wegoma



| Part Number    | Dimensions (mm)  |          |                    |               | Style |
|----------------|------------------|----------|--------------------|---------------|-------|
|                | Set              | Dia (D)  | Overall Length (L) | Shank Dia (d) |       |
| <b>OM35095</b> | 2 x RH<br>1 x LH | 10<br>12 | 100                | 8mm Shank     | Drill |

## 8mm Shank, Right Rotation Drills



| Part Number    | Dimensions (mm) |                                |                    |               | Style   |
|----------------|-----------------|--------------------------------|--------------------|---------------|---------|
|                | Dia (D)         | Flute Length (l <sub>f</sub> ) | Overall Length (L) | Shank Dia (d) |         |
| <b>OM35484</b> | 12              | 30                             | 100                | 8mm Shank     | Piloted |

## 8mm Shank, Left Rotation Drills



| Part Number    | Dimensions (mm) |                                |                    |               | Style   |
|----------------|-----------------|--------------------------------|--------------------|---------------|---------|
|                | Dia (D)         | Flute Length (l <sub>f</sub> ) | Overall Length (L) | Shank Dia (d) |         |
| <b>OM35485</b> | 10              | 30                             | 100                | 8mm Shank     | Piloted |

## 8mm Shank, Triple Drill Set - Wegoma



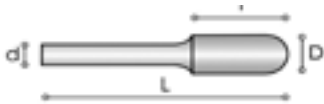
| Part Number    | Dimensions (mm)  |          |                    |               | Style |
|----------------|------------------|----------|--------------------|---------------|-------|
|                | Set              | Dia (D)  | Overall Length (L) | Shank Dia (d) |       |
| <b>OM35097</b> | 2 x RH<br>1 x LH | 10<br>12 | 100                | 8mm Shank     | Drill |



## Carbide Burrs



| Part Number  | Dimensions (mm) |   |    |    | Shape                        | Alternative Part Numbers |
|--------------|-----------------|---|----|----|------------------------------|--------------------------|
|              | D               | d | l  | L  |                              |                          |
| CARA40100313 | 3               | 3 | 13 | 38 | A - cylindrical              | 80-0001, BUR10003        |
| CARB40100313 | 3               | 3 | 13 | 38 | B - cylindrical with end cut | BUR10006                 |
| CARC40100313 | 3               | 3 | 13 | 38 | C - cylindrical bull nose    | 80-0001C, BUR10000       |
| CARA40100616 | 6               | 6 | 16 | 61 | A - cylindrical              | 80-0010, BUR10005        |
| CARB40100616 | 6               | 6 | 16 | 61 | B - cylindrical with end cut |                          |
| CARC40100616 | 6               | 6 | 16 | 61 | C - cylindrical bull nose    |                          |
| CARF40100618 | 6               | 6 | 18 | 63 | F - tree radius end          | 80-0008                  |



## HSS Countersinks

3 Flute 90° Included Angle- TiN Coated



| Part Number  | Description            | Dimensions (mm) |      |    |    |
|--------------|------------------------|-----------------|------|----|----|
|              |                        | D Ø             | d1 Ø | d  | L  |
| CAR675005390 | SV 75 MM 5.3 M 2.5 Tin | 5.3             | 1.5  | 4  | 40 |
| CAR675006390 | SV 75 MM 6.3 M 3 Tin   | 6.3             | 1.5  | 5  | 45 |
| CAR675008390 | SV 75 MM 8.3 M 4 Tin   | 8.3             | 2    | 6  | 50 |
| CAR675010490 | SV 75 MM 10.4 M 5 Tin  | 10.4            | 2.5  | 6  | 50 |
| CAR675012490 | SV 75 MM 12.4 M 6 Tin  | 12.4            | 2.8  | 8  | 56 |
| CAR675015090 | SV 75 MM 15 M 8 Tin    | 15              | 3.2  | 10 | 60 |



## Hole Type Countersinks (Flute less)

90° Included Angle



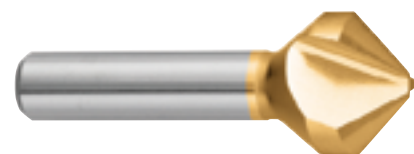
| Part Number | Dimensions (mm) |      |        |    |    |
|-------------|-----------------|------|--------|----|----|
|             | D Ø             | d1 Ø | Range  | d  | L  |
| M0411050AM  | 5               | 2    | 2 - 5  | 6  | 35 |
| M0411100AM  | 10              | 4    | 4 - 9  | 6  | 45 |
| M0411150AM  | 15              | 6    | 6 - 14 | 6  | 55 |
| M0411200AM  | 20              | 8    | 8 - 18 | 10 | 65 |



## 82° Single Flute Countersinks



| Part Number | Dimensions (mm) |      |        |   |    |
|-------------|-----------------|------|--------|---|----|
|             | D Ø             | d1 Ø | Range  | d | L  |
| M0424100AM  | 10              | 1    | 1 - 10 | 6 | 46 |
| M0424120AM  | 12              | 2    | 2 - 12 | 8 | 51 |



## Spiral Point Taps for Aluminium

TiN Coated



| Part Number         | Dimensions (mm) |     |    |     |        |            | Alternative Part Numbers |
|---------------------|-----------------|-----|----|-----|--------|------------|--------------------------|
|                     | D               | L   | l  | d   | Square | Drill Size |                          |
| <b>CAR651300003</b> | M3 x 0.5        | 56  | 10 | 3.5 | 2.7    | 2.5        | 51300003                 |
| <b>CAR651300004</b> | M4 x 0.7        | 63  | 12 | 4.5 | 3.4    | 3.3        | 51300004                 |
| <b>CAR651300005</b> | M5 x 0.8        | 70  | 14 | 6   | 4.9    | 4.2        | 51300005                 |
| <b>CAR651300006</b> | M6 x 1          | 80  | 18 | 6   | 4.9    | 5          | 51300006                 |
| <b>CAR651300008</b> | M8 x 1.25       | 90  | 20 | 8   | 6.2    | 6.8        | 51300008                 |
| <b>CAR651300010</b> | M10 x 1.5       | 100 | 20 | 10  | 8      | 8.5        | 51300010                 |

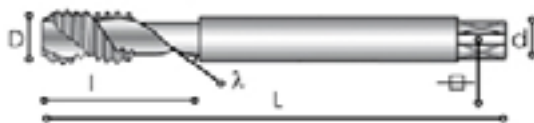


## Spiral Flute Taps for Aluminium

Tin Coated



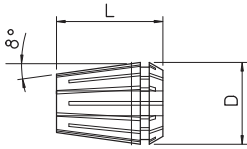
| Part Number         | Dimensions (mm) |     |    |     |        |            | Alternative Part Numbers |
|---------------------|-----------------|-----|----|-----|--------|------------|--------------------------|
|                     | D               | L   | l  | d   | Square | Drill Size |                          |
| <b>CAR651500004</b> | M4 x 0.7        | 63  | 7  | 2.8 | 2.1    | 3.3        | 51500004                 |
| <b>CAR651500005</b> | M5 x 0.8        | 70  | 8  | 3.5 | 2.7    | 4.2        | 51500005                 |
| <b>CAR651500006</b> | M6 x 1          | 80  | 10 | 4.5 | 3.4    | 5          | 51500006                 |
| <b>CAR651500008</b> | M8 x 1.25       | 90  | 13 | 6   | 4.9    | 6.8        | 51500008                 |
| <b>CAR651500010</b> | M10 x 1.5       | 100 | 15 | 7   | 5.5    | 8.5        | 51500010                 |



## ER 16 Collets



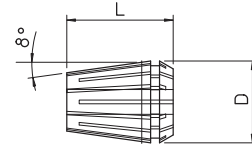
|                |               |
|----------------|---------------|
| D              | 17mm          |
| L              | 27.5mm        |
| Clamping Range | 1.0 - 10.0 mm |



| Part Number | Description | Clamping Size (mm) | Cross ref                   |
|-------------|-------------|--------------------|-----------------------------|
| OM32075     | ER16        | 4.0-3.0            | 122351040, 254760           |
| OM32076     |             | 5.0-4.0            | 122351050, 257690, 47-1401A |
| OM32077     |             | 6.0-5.0            | 122351050, 257690, 47-1401  |
| OM32079     |             | 8.0-7.0            | 122351050, 257690, 47-1402  |
| OM32081     |             | 10.0-9.0           | 122351000, 254763, 47-1403  |

## ER 20 Collets

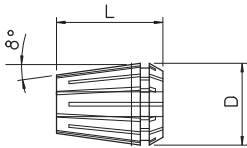
|                |               |
|----------------|---------------|
| D              | 21mm          |
| L              | 31.5mm        |
| Clamping Range | 1.0 - 13.0 mm |



| Part Number | Description | Clamping Size (mm) | Cross ref                                      |
|-------------|-------------|--------------------|--|
| OM32135     | ER20        | 5.0-4.0            | 151351004, 267684, 47-1437                     |
| OM32136     |             | 6.0-5.0            | 151351005, 266048, 47-1438                     |
| OM32137     |             | 7.0-6.0            | 151351006, 267685                              |
| OM32138     |             | 8.0-7.0            | 151351007, 266224, 47-1436, 29-0139A, T0000254 |
| OM32140     |             | 10.0-9.0           | 151351009, 266225, 47-1435 29-0139, T0000482   |
| OM32142     |             | 12.0-11.0          | 151351010, 257278, T0000295                    |
| OM32143     |             | 13.0-12.0          | 151351011, 267686, T0000360                    |

## ER 25 Collets

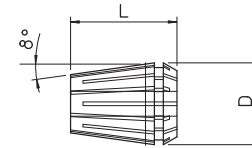
|                |               |
|----------------|---------------|
| D              | 26mm          |
| L              | 34mm          |
| Clamping Range | 1.0 - 16.0 mm |



| Part Number | Description | Clamping Size (mm) | Cross Ref        |
|-------------|-------------|--------------------|------------------|
| OM32190     | ER25        | 5.0-4.0            | 257608           |
| OM32191     |             | 6.0-5.0            | 255658           |
| OM32192     |             | 7.0-6.0            | 257609           |
| OM32193     |             | 8.0-7.0            | 255663, 47-1406  |
| OM32195     |             | 10.0-9.0           | 255664, 47-1424  |
| OM32197     |             | 12.0-11.0          | 255665           |
| OM32198     |             | 13.0-12.0          | 255610, 47-1408A |
| OM32199     |             | 14.0-13.0          | 255675           |
| OM32201     |             | 16.0-15.0          | 255666           |

## ER 32 Collets

|                |               |
|----------------|---------------|
| D              | 33mm          |
| L              | 40mm          |
| Clamping Range | 1.0 - 25.0 mm |



| Part Number | Description | Clamping Size (mm) | Cross ref                   |
|-------------|-------------|--------------------|-----------------------------|
| OM32250     | ER32        | 3.0-2.0            | 47-1411A, 29-0014           |
| OM32251     |             | 4.0-3.0            | 130351006, 259543           |
| OM32252     |             | 5.0-4.0            | 130351005, 257007           |
| OM32253     |             | 6.0-5.0            | 130351007, 259544, 47-1413  |
| OM32254     |             | 7.0-6.0            | 130351009, 257008           |
| OM32255     |             | 8.0-7.0            | 130351000, 257009 47-1415   |
| OM32257     |             | 10.0-9.0           | 130351026, 29-0016, 47-1416 |
| OM32259     |             | 12.0-11.0          | 130351002                   |
| OM32260     |             | 13.0-12.0          | 130351028, 257011           |
| OM32263     |             | 16.0-15.0          | 130351003, 257013           |
| OM32267     |             | 20.0-19.0          | 130351004, 257015           |



## OZ 12 Collets- Elumatec 077

|                |               |
|----------------|---------------|
| D              | 20.5 mm       |
| L              | 35 mm         |
| Clamping Range | 5.0 - 12.0 mm |



| Part Number    | Description | Clamping Size (mm) | Cross Ref         |
|----------------|-------------|--------------------|-------------------|
| <b>OM33588</b> | OZ12        | 5.0-4.0            | 077351050         |
| <b>OM33590</b> |             | 6.0-5.0            | 077351060, T10/6  |
| <b>OM33594</b> |             | 8.0-7.0            | 077351080, T10/8  |
| <b>OM33598</b> |             | 10.0-9.0           | 077351100, T10/10 |
| <b>OM33602</b> |             | 12.0-11.0          | 077351120, T10/12 |



## Collets - Pertici



| Part Number    | Description | Dimensions (mm) |    |               | Cross Ref  |
|----------------|-------------|-----------------|----|---------------|------------|
|                |             | D               | L  | Clamping Size |            |
| <b>OM35137</b> | Pertici     | 33.3            | 15 | 8mm           | 951, P101C |



## Collets - Infismac, Delta



| Part Number    | Description     | Dimensions (mm) |    |               | Cross Ref  |
|----------------|-----------------|-----------------|----|---------------|------------|
|                |                 | D               | L  | Clamping Size |            |
| <b>OM35055</b> | Infismac, Delta | 24              | 27 | 8mm           | PINFIO0036 |



## ER Collet Nuts



| Part Number | Collet | Nut Diameter (mm) | Style               |
|-------------|--------|-------------------|---------------------|
| OM31426     | ER16   | 28                | ER Hexagon          |
| OM31427     | ER20   | 34                |                     |
| OM31419     | ER16   | 32                | ER Castellated      |
| OM31420     | ER20   | 35                |                     |
| OM31421     | ER25   | 42                |                     |
| OM31422     | ER32   | 50                |                     |
| OM31415     | ER16   | 22                | ER Mini Castellated |
| OM31416     | ER20   | 28                |                     |
| OM31417     | ER25   | 35                |                     |



## OZ Collet Nuts



| Part Number | Collet | Thread | Style     | Alternative Ref |
|-------------|--------|--------|-----------|-----------------|
| OM30178     | OZ12   | M22    | Mini Lock | 077107401       |



## Machine Specific Collet Nuts



| Part Number | Collet          | Thread | Style    | Alternative Ref |
|-------------|-----------------|--------|----------|-----------------|
| OM35096     | Infismac, Delta | 36     | Standard |                 |
| OM35138     | Perfici         | 22     | Standard | P101N           |



## Spanners for ER Collet Nuts



| Part Number | Collet Size | Style               | Alternative Ref |
|-------------|-------------|---------------------|-----------------|
| OM31412     | ER16        | ER Hexagon          |                 |
| OM31413     | ER20        |                     |                 |
| OM31405     | ER16        | ER Castellated      | 257772          |
| OM31406     | ER20        |                     | 257773          |
| OM31407     | ER25        |                     | 269147          |
| OM31408     | ER32        |                     |                 |
| OM31402     | ER16        | ER Mini Castellated |                 |
| OM31403     | ER20        |                     |                 |
| OM31404     | ER25        |                     |                 |



## ISO30 ER Collet Chucks



| Part Number    | Description | Dimensions (mm) |              | Collet Type | Range  |
|----------------|-------------|-----------------|--------------|-------------|--------|
|                |             | Gauge Length    | Nut Diameter |             |        |
| <b>OM31523</b> | ISO30-ER16  | 38              | 32           | ER16        | 1-10mm |
| <b>OM31524</b> | ISO30-ER20  | 38              | 35           | ER20        | 1-13mm |
| <b>OM31525</b> | ISO30-ER25  | 38              | 42           | ER25        | 2-16mm |
| <b>OM31526</b> | ISO30-ER32  | 65              | 50           | ER32        | 2-20mm |



## ISO30 Pull Studs



| Part Number    | Dimensions (mm) |    |    |    |           |         | Style             |
|----------------|-----------------|----|----|----|-----------|---------|-------------------|
|                | M               | I  | L  | D  | R / Angle | a/f=Key |                   |
| <b>OM31340</b> | M12             | 24 | 44 | 12 | 3.175     | 14      | ISO30 Radius      |
| <b>OM30166</b> | M12             | 24 | 44 | 13 | 30°       |         | DIN 69872 B Solid |



## HSK-63F Collet Chucks



| Part Number    | Description                    | Dimensions (mm) |              | Collet Type | Range   | Alternative Part Numbers |
|----------------|--------------------------------|-----------------|--------------|-------------|---------|--------------------------|
|                |                                | Gauge Length    | Nut Diameter |             |         |                          |
| <b>OM31974</b> | HSK63F ER16 60                 | 60              | 28           | ER16        | 1-10 mm | 27133                    |
| <b>OM31515</b> | HSK63F ER16 100                | 100             | 28           | ER16        | 1-10mm  | 27134                    |
| <b>OM31516</b> | HSK63F ER16 160                | 160             | 28           | ER16        | 1-10mm  |                          |
| <b>OM31975</b> | HSK63F ER25 75                 | 70              | 42           | ER25        | 2-16mm  | 26779                    |
| <b>OM31519</b> | HSK63F ER25 100                | 100             | 42           | ER25        | 2-16mm  | 267536                   |
| <b>OM36608</b> | HSK63F ER32 73<br>Spanner Flat | 73              | 50           | ER32        | 2-20mm  |                          |
| <b>OM31976</b> | HSK63F ER32 75                 | 75              | 50           | ER32        | 2-20mm  | 267770                   |
| <b>OM31521</b> | HSK63F ER32 100                | 100             | 50           | ER32        | 2-20mm  | 267535                   |



## HSK-40E Collet Chucks



| Part Number    | Description      | Dimensions (mm) |              | Collet Type | Range  |
|----------------|------------------|-----------------|--------------|-------------|--------|
|                |                  | Gauge Length    | Nut Diameter |             |        |
| <b>OM31498</b> | HSK40-E-ER25-70M | 70              | 42           | ER25        | 2-16mm |





Omega Products  
45 Cobham Road  
Ferndown Industrial Estate  
Wimborne  
Dorset  
BH21 7QZ

T. 01202 745 179  
E. [sales@odx-tools.co.uk](mailto:sales@odx-tools.co.uk)  
W. [odx-tools.co.uk](http://odx-tools.co.uk)

Version 2